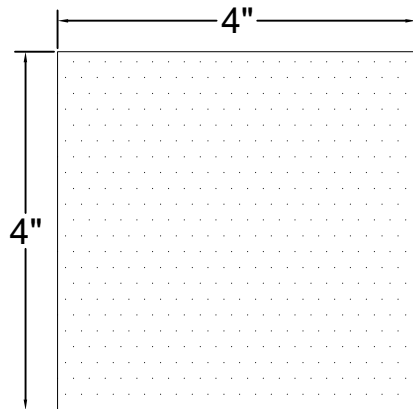
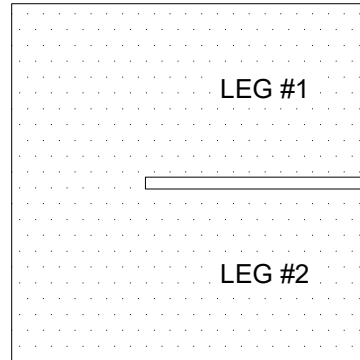


STEP #1



STEP #2



NOTES: nts

STEP #1

CUT LAURENCO BUTYL SEALANT TAPE (A75004) INTO 4" TO 4" LONG STRIPS. FOR DOWELS & BOLTS 3/4" TO 1-1/4" DIAMETER, ADJUST LENGTH FOR SMALLER OR LARGER DIAMETER PROJECTIONS.

STEP #2

SLIT BUTYL SEALANT TAPE THRU THE MIDDLE 2/3 THE LENGTH AS SHOWN. APPROX. 2-1/2"

STEP #3

SET BUTYL SEALANT TAPE IN A PRIME COAT OF ADHESIVE APPLIED OVER WATERPROOFING OR PROTECTION BOARD. WORK TAPE AROUND DOWEL OVERLAPPING LEG #2 OVER LEG #1, SHOWN IN STEP #4.

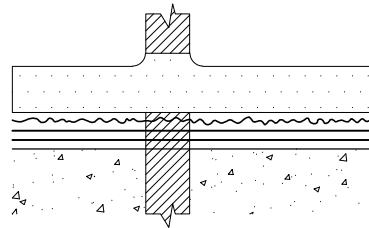
STEP #4

AFTER OVERLAPPING THE TWO LEGS OF THE TAPE AROUND PROJECTION, COMPRESS TAPE FIRMLY TO SEAL.

NOTE:

WHEN WORKING WITH BUTYL TAPE USE A CAN OF WATER AS SOURCE TO WET FINGERS, SCISSORS, KNIVES TO MINIMIZE ADHESION TO HANDS AND TOOLS.

STEP #3



STEP #4

